

Life without Wires.

Design Platform for EUROPE!

The Wi.232™ European Development Platform of embedded radio modules provides Customers high performance radio solutions for simple serial wire replacement applications, such as most RS-232/422/485 applications. All radios are designed to meet European certification standards.

Radio + MCU + SW Protocol

The Wi.232EUR™ (868-870MHz) and the Wi.FS24-100ST™ (2.4GHz) modules are complete serial UART embedded solutions for fast implementation into any application. These modules work with any choice of customer host microcontroller. The Wi. FS24-100ST is a 802.15.4 Zigbee-Ready Freescale™ - based embedded radio module. These modules are designed for most RS232/422/485 wire replacement applications.

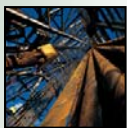
Radio Only Drop-in Modules

The Wi.M868X-R™ (868-870MHz) and Wi.M868T-R (868-870MHz) radio-only drop-in modules are footprint compatible design solutions with the Wi.232EUR™ or the Radiotronix line of 900MHz Wi.232™ radios. These modules have simple interface to any microcontroller.

Radio Only Drop-in Modules (SemTech Replacements)

The Wi.DPXXXX™ family of radio-only drop-in modules are direct replacements for all Semtech DP1203 and DP1205 family of embedded radio modules. These radios are offered in 433/868/915 MHz and feature the Semtech XE1203F and XE1205 transceiver ICs for high performance RF.

Applications



Oil Sensing



Medical



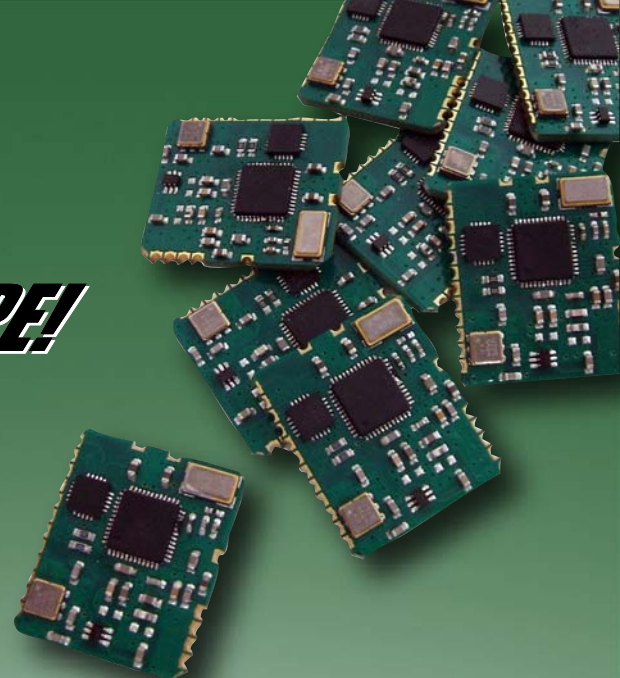
Automated Meter Reading (AMR)



Industrial



Fleet Management



Features

Radio + MCU + SW Protocol

Wi.FS24-100ST

- 2.4 GHz Zigbee Ready 802.15.4mW inverted-F antenna
- 10mW/100mW power output modes
- PTP/MTP protocol w/ Zigbee Mesh upgradeable
- Max RF data rate 250 kb/s
- Small form factor 30 x 40mm

Wi.232EUR

- 868-870MHz
- Max RF data rate 152.34kb/s
- Small form factor 20 x 25mm

Radio Only Drop In Modules

Wi.M868T-R and Wi.M868X-R

- Transmitter only and Transceiver only versions
- Footprint compatible with Wi.232EUR and 900MHz versions
- Max RF data rate 152.34kb/s
- Small form factor 20 x 25mm

Radio Only Drop In Modules (Semtech Replacements)

Wi.DPXXXX series

- 433MHz and 868MHz drop in radio modules
- Direct replacements for Semtech DP1205 and DP1203 modules
- Max RF data rate 152.34kb/s
- Small form factor 18x35mm

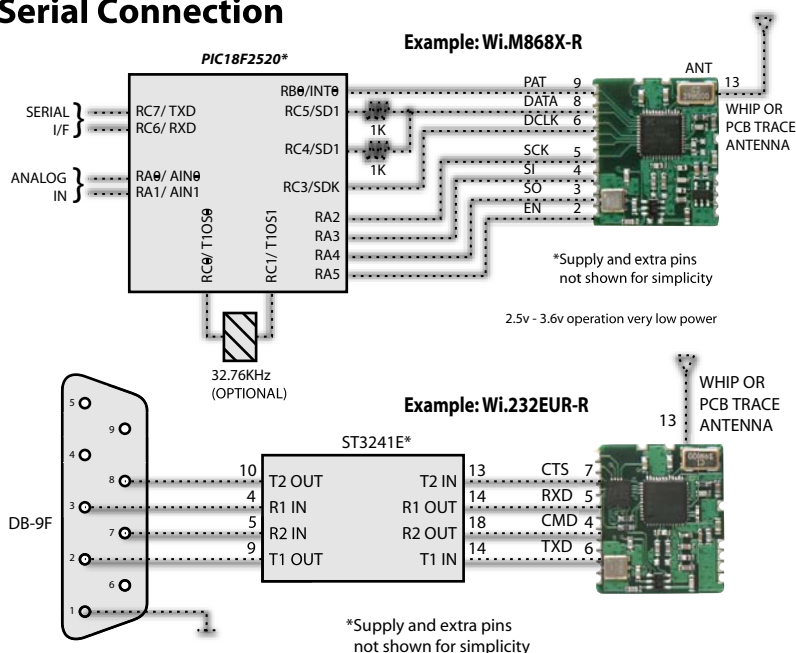


(P) 405.794.7730 - (F) 405.794.7747 - www.radiotronix.com

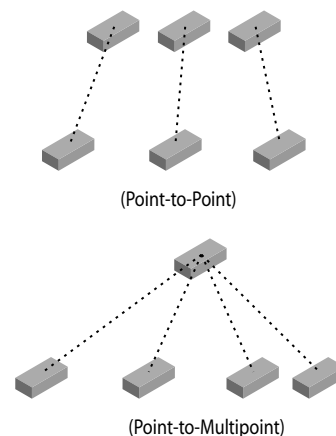
For 24 hour Sales and Tech. Support: www.radiotronix.com/support/

Design Platform for EUROPE!

Serial Connection



RF Communication



Ordering Information

Part Number	Description	Frequency	Recommended Optional Antennas
SemTech Replacement Modules			
Wi.DP1203-433-R	Embedded Drop-in Module (Direct replacement for SemTech DP1203C4333LF)	433MHz	ANT-433-07A
Wi.DP1203-868-R	Embedded Drop-in Module (Direct replacement for SemTech DP1203C8683LF)	868MHz	ANT-868-01A
Wi.DP1205-433-R	Embedded Drop-in Module (Direct replacement for SemTech DP1205C4333LF)	433MHz	ANT-433-07A
Wi.DP1205-868-R	Embedded Drop-in Module (Direct replacement for SemTech DP1205C8683LF)	868MHz	ANT-868-01A
Radiotronics Drop-in Modules			
Wi.M868T-R	Embedded Drop-in Module (Transmitter only)	868MHz	ANT-868-01A
Wi.M868X-R	Embedded Drop-in Module (Transceiver only)	868MHz	ANT-868-01A
Wi.M868X-DP-R	Embedded Drop-in Module (SemTech footprint compatible transceiver only)	868MHz	ANT-868-01A
Radiotronics Base Module (EUR)			
Wi.232EUR-R	Embedded Radio Module (controller + protocol)	868MHz	ANT-868-01A
Evaluation Modules			
Wi.232EUR-EVM-R	Evaluation Module (pinned straight SMA for development)	868MHz	ANT-868-02A
Wi.M868X-DP-EVM-R	Evaluation Module (pinned straight SMA for development)	868MHz	ANT-868-02A
Development Kits			
RK-Wi.232EUR-R	Development Kit (includes 2ea. Wi.232EUR-EVM-R, 2 ANT-868-02A)	868MHz	ANT-868-02A
RK-Wi.M868X/T-R	Development Kit (includes 2ea. Wi.M868X/T-R, 2 ANT-868-02)	868MHz	ANT-868-02A
RK-Wi.M868X-DP-R	Development Kit (includes 2ea. Wi.M868X-DP-EVM-R, 2 ANT-868-02A)	868MHz	ANT-868-02A
RK-Wi.FS24-100ST	Development Kit (includes 2ea. Wi.FS24-100ST)	2.4GHz	Inverted F Antenna

Placing Orders

The part number is provided below to ensure ordering correctly. Pricing is available at qualified Radiotronics distributors. For more product lines and all distributor information contact Radiotronics sales at 405.794.7730, visit www.radiotronics.com, or email sales@radiotronics.com.